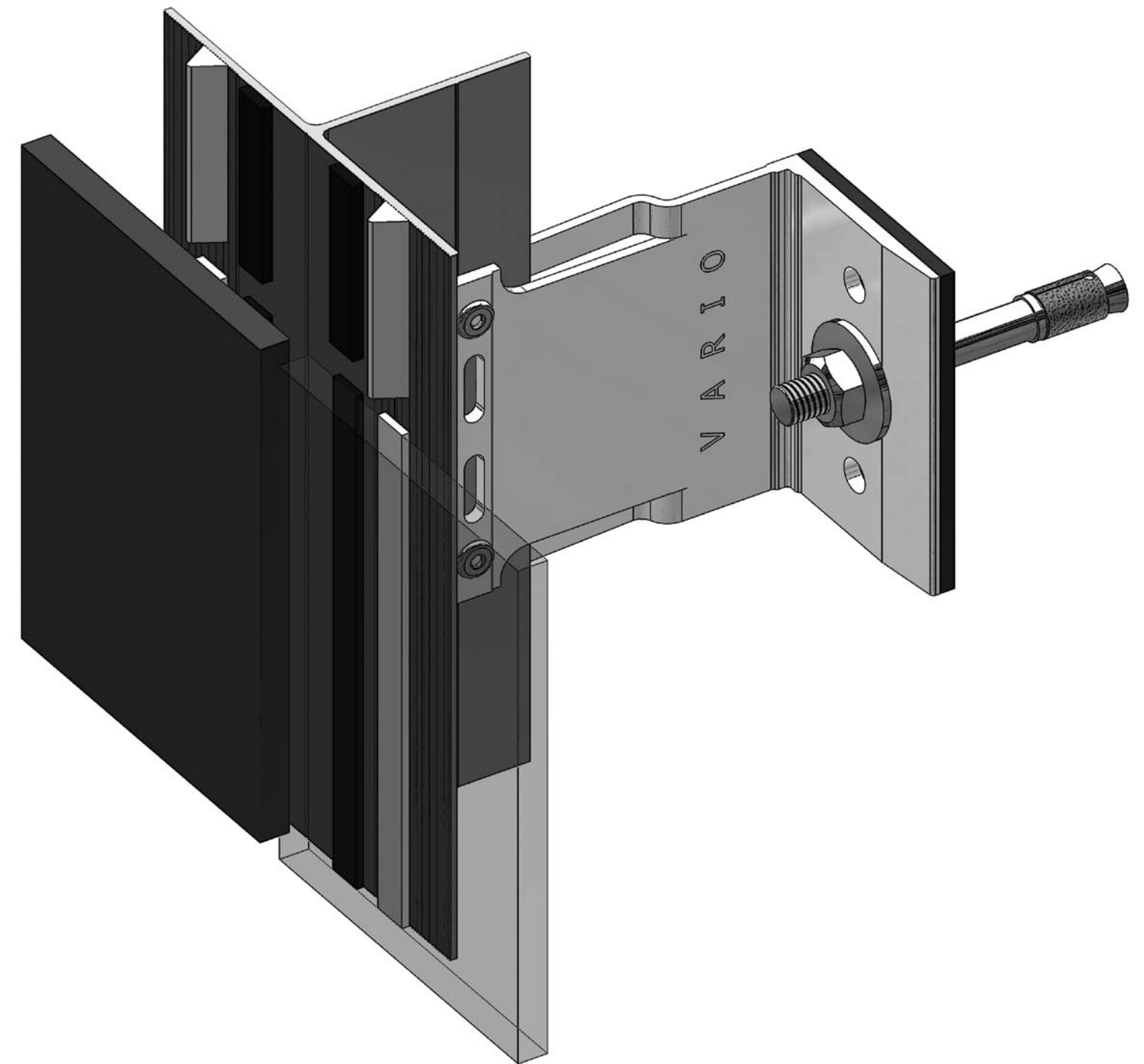


**VENTILATED
FAÇADE SYSTEM
FOR MOUNTING
FIBROCEMENT,
HPL PANELS WITH
INVISIBLE
FASTENING BY
GLUEING TECHNIQUE**

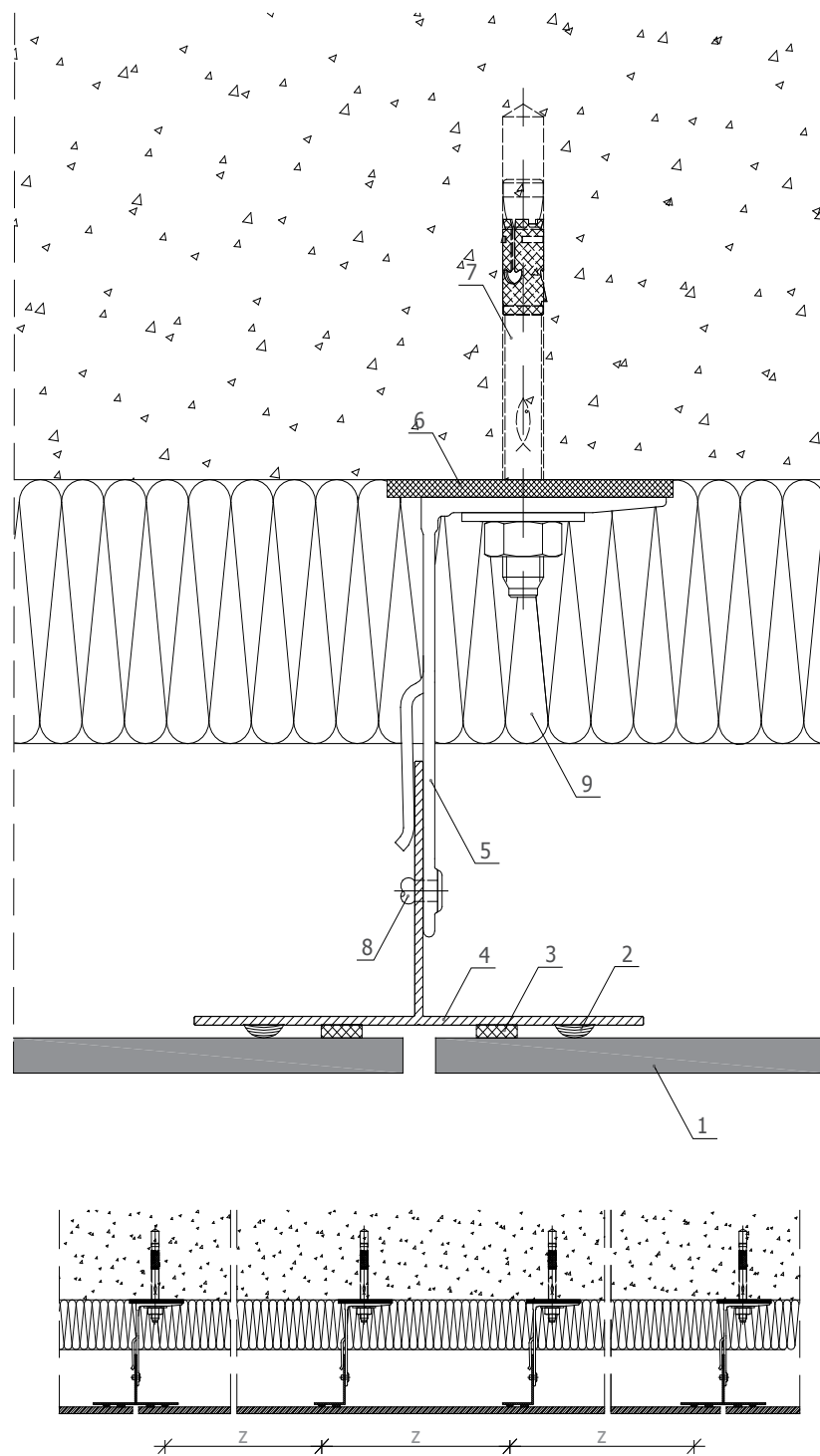


VARIO



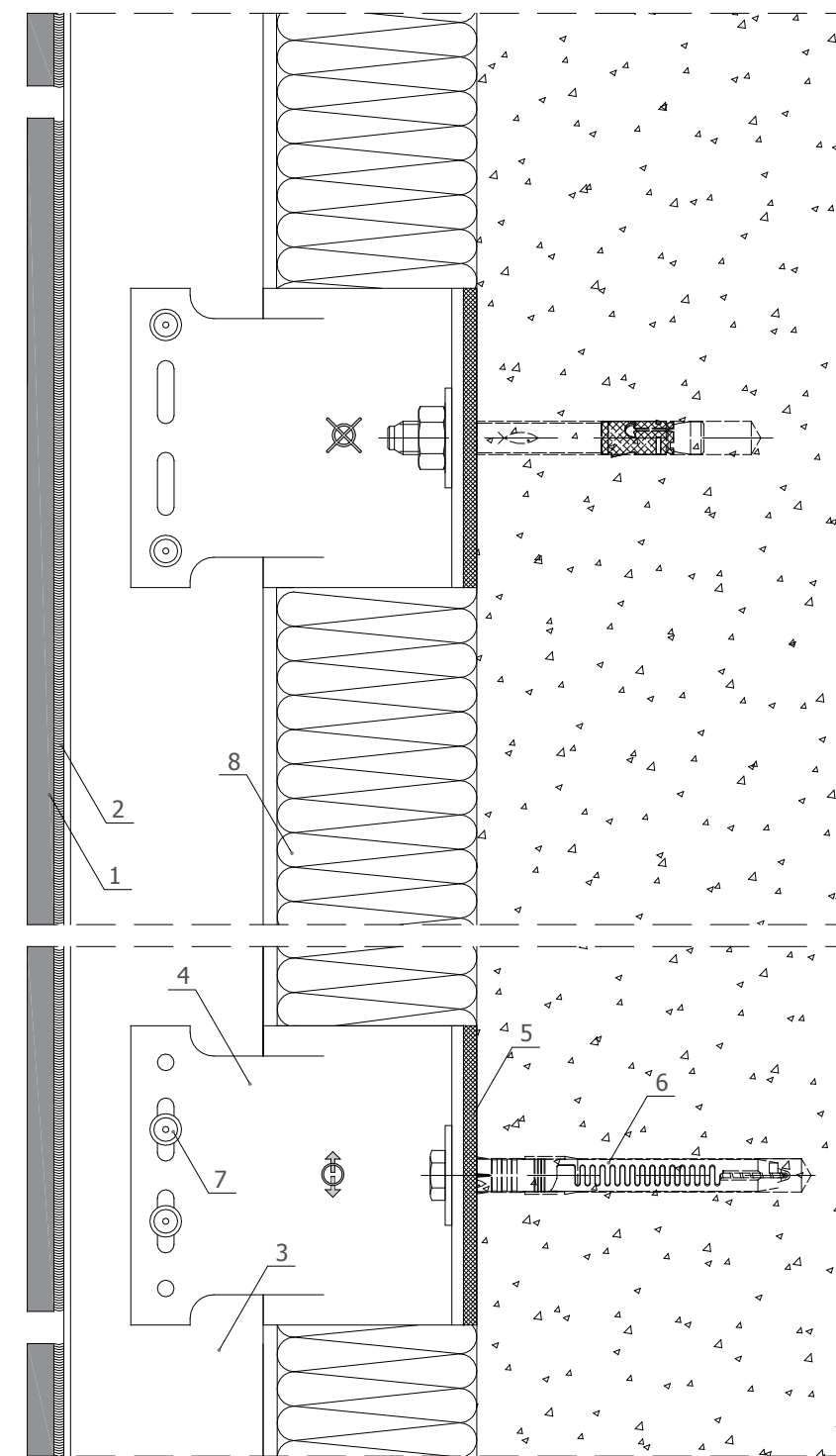
VARIO

detail 1 - fibrocement, HPL panels



1. fibrocement, HPL panels
2. SikaTack®-Panel
3. double coated tape
4. main profile
5. fixing bracket 100mm
6. thermo-insulation pad
7. anchor
8. rivet 4.8x12
9. thermal insulation with black veil

detail 2 - fibrocement, HPL panels



1. fibrocement, HPL panels
2. SikaTack®-Panel
3. main profile
4. fixing bracket 100mm
5. thermo-insulation pad
6. anchor
7. rivet 4.8x12
8. thermal insulation with black veil

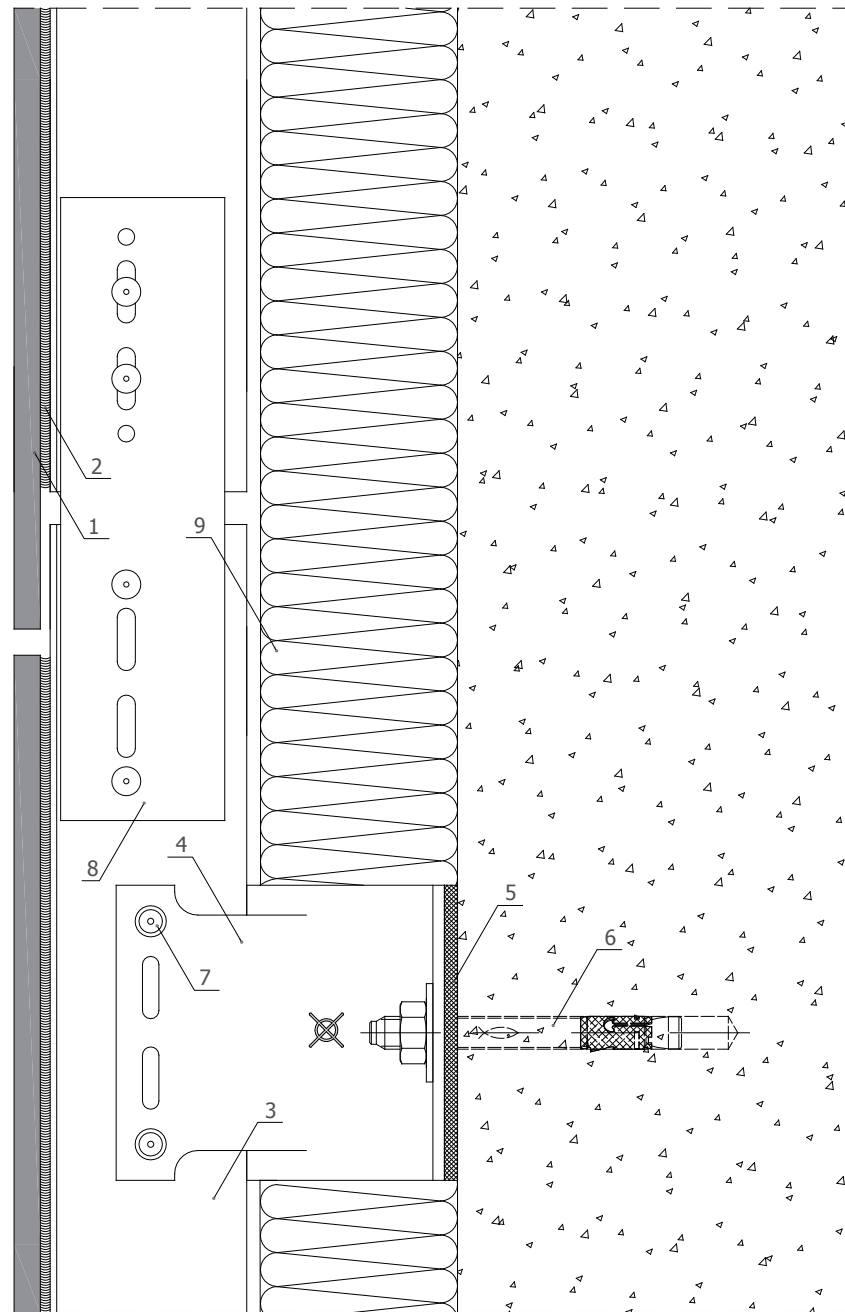
03/2010

The engineering design of this product is an intellectual property of ETEM Building Systems .
Copying and distributing any parts of the product is a violation of the copyright law.

03/2010

The engineering design of this product is an intellectual property of ETEM Building Systems .
Copying and distributing any parts of the product is a violation of the copyright law.

detail 2.1 - fibrocement, HPL panels



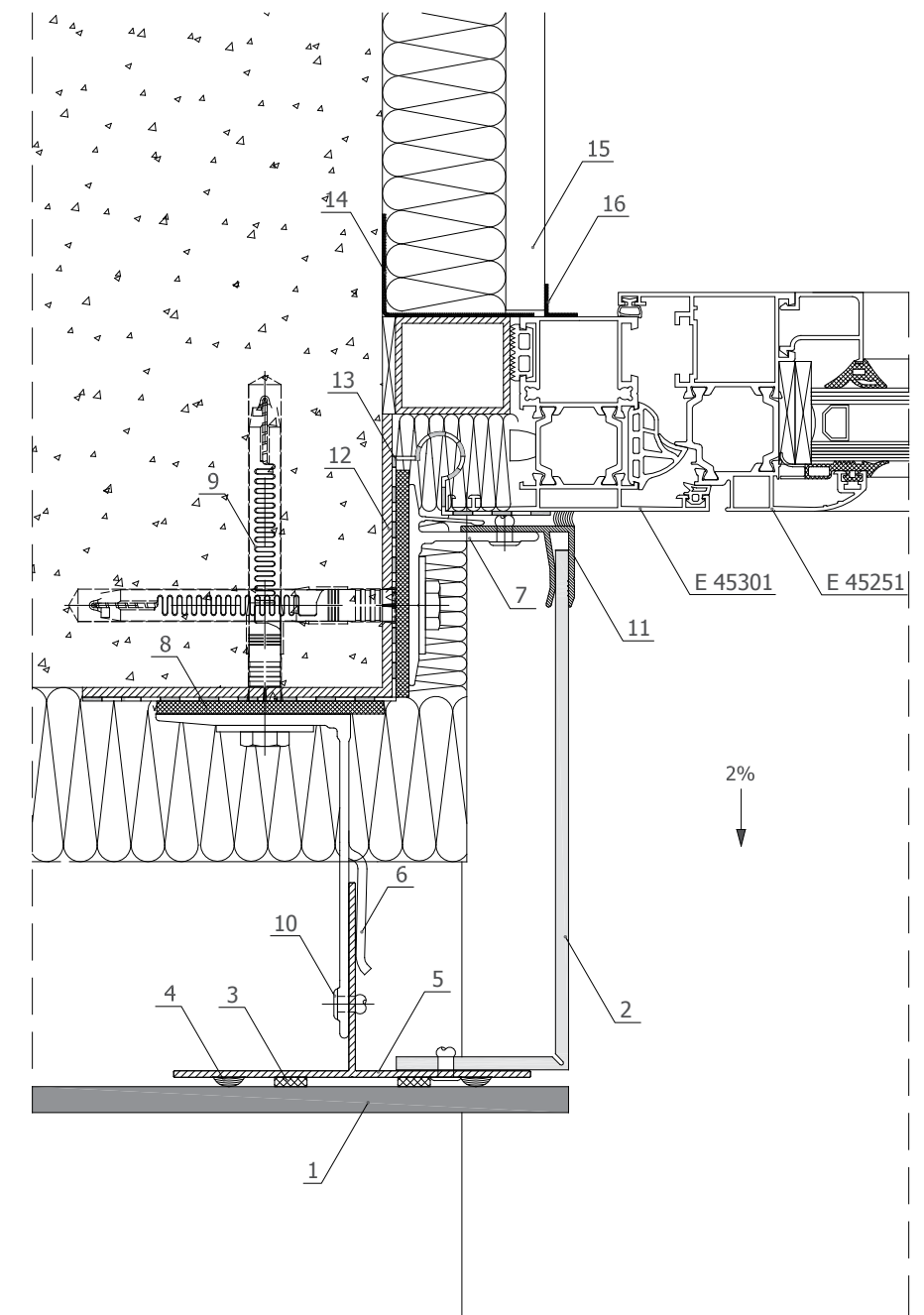
1. fibrocement, HPL panels
2. SikaTack®-Panel
3. main profile
4. fixing bracket 100mm
5. thermo-insulation pad
6. anchor
7. rivet 4.8x12
8. joint profile
9. thermal insulation with black veil

03/2010

*For cladding material with horizontal dimension longer than 650mm, medial L profiles should be used. The distance is determined by the manufacturer of the cladding material.

The engineering design of this product is an intellectual property of ETEM Building Systems. Copying and distributing any parts of the product is a violation of the copyright law.

detail 3 - fibrocement, HPL panels

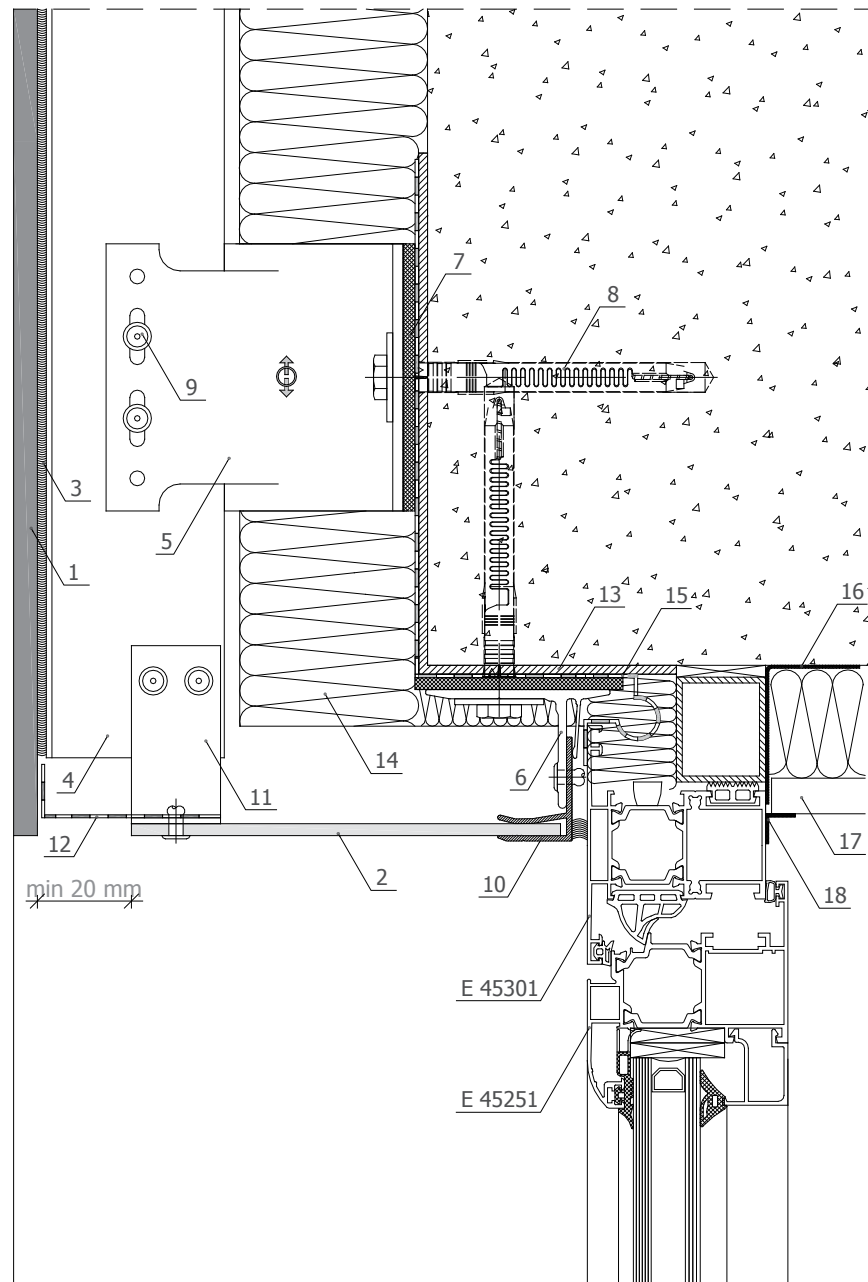


1. fibrocement, HPL panels
2. etalbond®
3. SikaTack®-Panel
4. double coated tape
5. main profile
6. fixing bracket 100mm
7. fixing bracket 40mm
8. thermo-insulation pad
9. anchor
10. rivet 4.8x12
11. F profile
12. thermal insulation with black veil
13. waterproofing
14. steamproofing membrane
15. plasterboard
16. decorative PVC profile

03/2010

The engineering design of this product is an intellectual property of ETEM Building Systems. Copying and distributing any parts of the product is a violation of the copyright law.

detail 4 - fibrocement, HPL panels

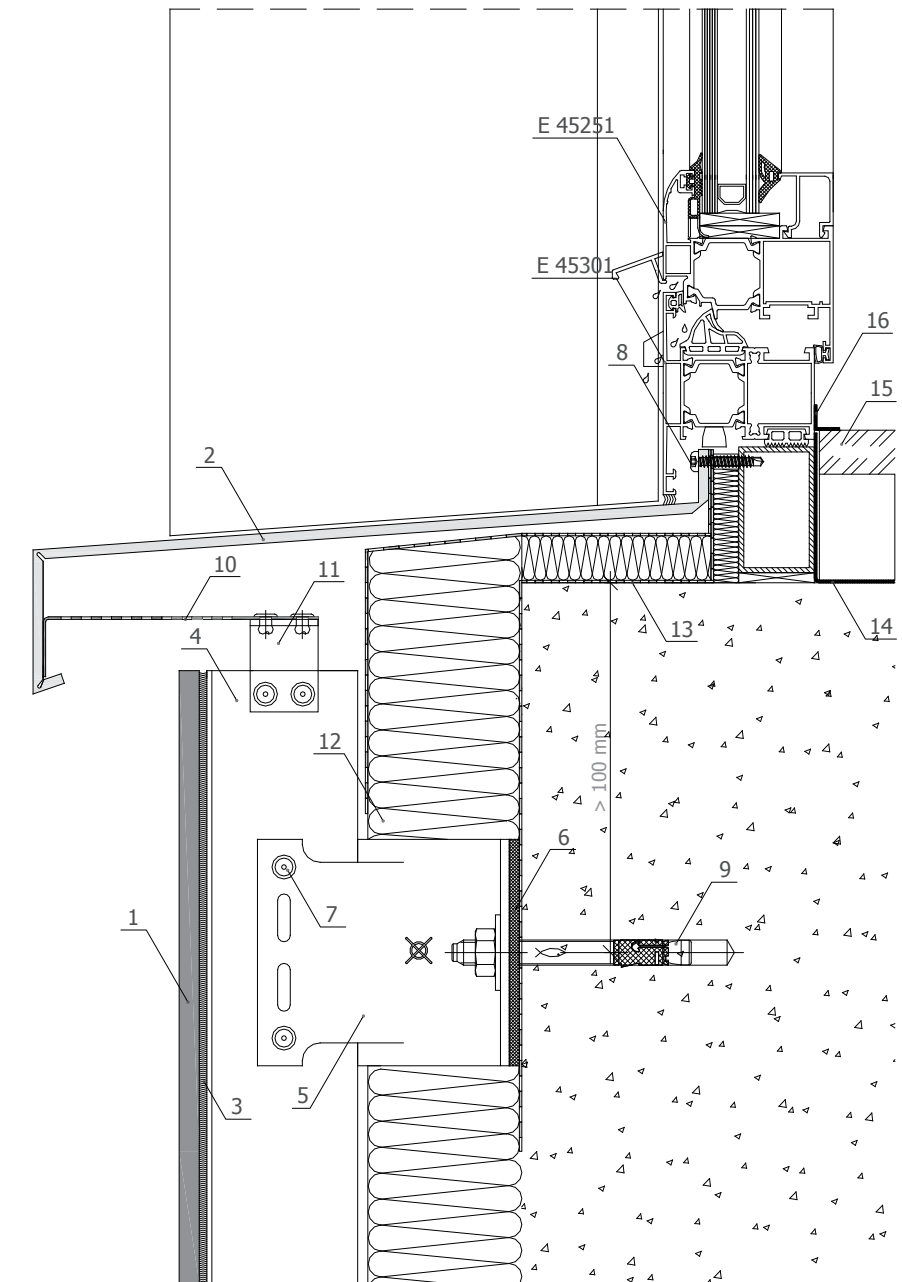


1. fibrocement, HPL panels
2. etalbond®
3. SikaTack®-Panel
4. main profile
5. fixing bracket 100mm
6. fixing bracket 40mm
7. thermo-insulation pad
8. anchor
9. rivet 4.8x12
10. F profile
11. L profile
12. perforated metal sheet
13. aluminum sheet-3mm
14. thermal insulation with black veil
15. waterproofing
16. steamproofing membrane
17. plasterboard
18. decorative PVC profile

03/2010

The engineering design of this product is an intellectual property of ETEM Building Systems .
Copying and distributing any parts of the product is a violation of the copyright law.

detail 5 - fibrocement, HPL panels

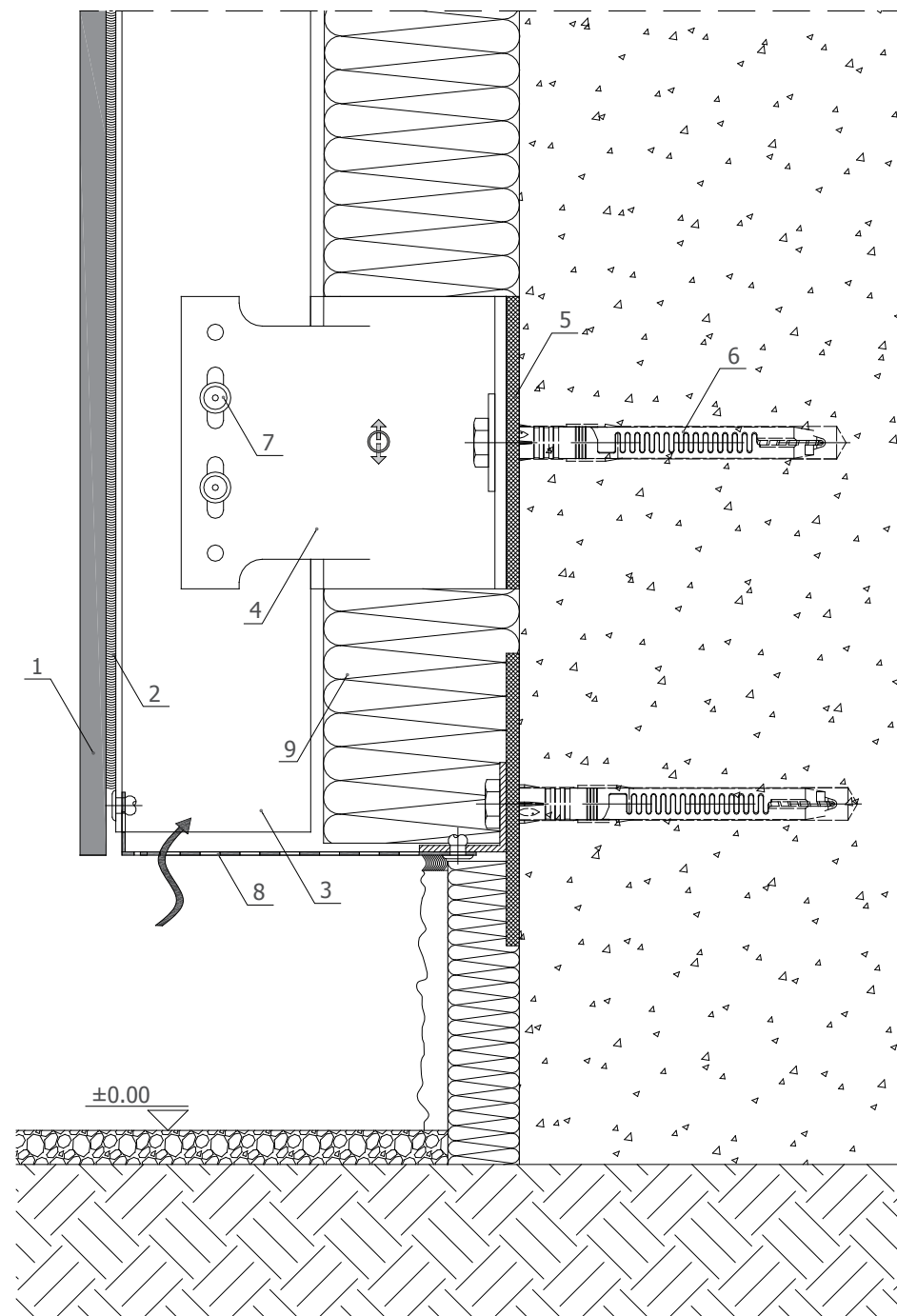


1. fibrocement, HPL panels
2. etalbond®
3. SikaTack®-Panel
4. main profile
5. fixing bracket 100mm
6. thermo-insulation pad
7. rivet 4.8x12
8. self drilling screw - 4.2x26
9. plug
10. perforated metal sheet
11. L profile
12. thermal insulation with black veil
13. waterproofing
14. steamproofing membrane
15. plasterboard
16. decorative PVC profile

03/2010

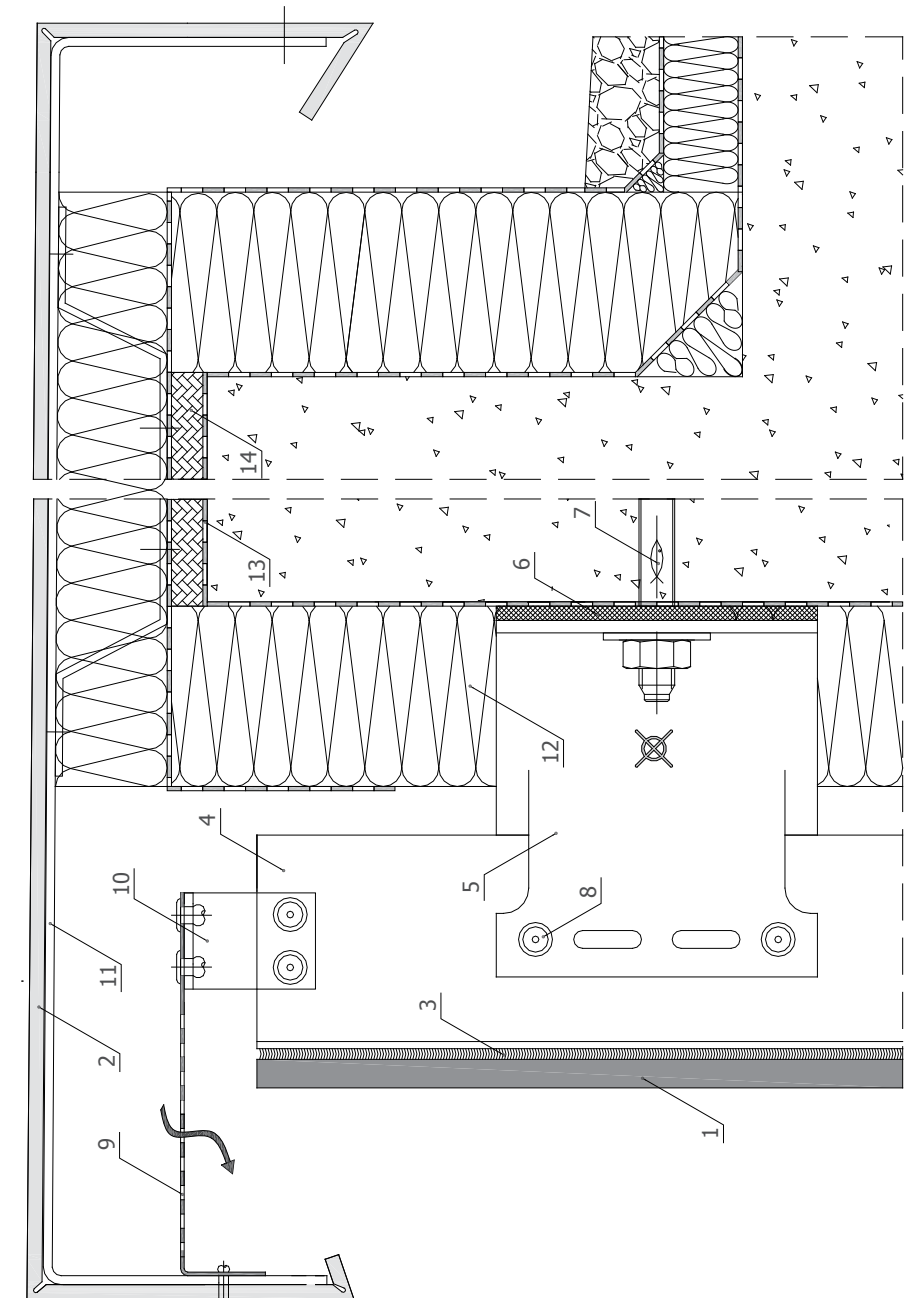
The engineering design of this product is an intellectual property of ETEM Building Systems .
Copying and distributing any parts of the product is a violation of the copyright law.

detail 6 - fibrocement, HPL panels



1. fibrocement, HPL panels and aquapanel
2. SikaTack®-Panel
3. main profile
4. fixing bracket 100mm
5. thermo-insulation pad
6. anchor
7. rivet 4.8x12
8. perforated metal sheet
9. thermal insulation with black veil

detail 7 - fibrocement, HPL panels



1. fibrocement, HPL panels
2. etalbond®
3. SikaTack®-Panel
4. main profile
5. fixing bracket 100mm
6. thermo-insulation pad
7. anchor
8. rivet 4.8x12
9. perforated metal sheet
10. L profile
11. aluminum sheet - 3mm
12. thermal insulation with black veil
13. waterproofing
14. plywood

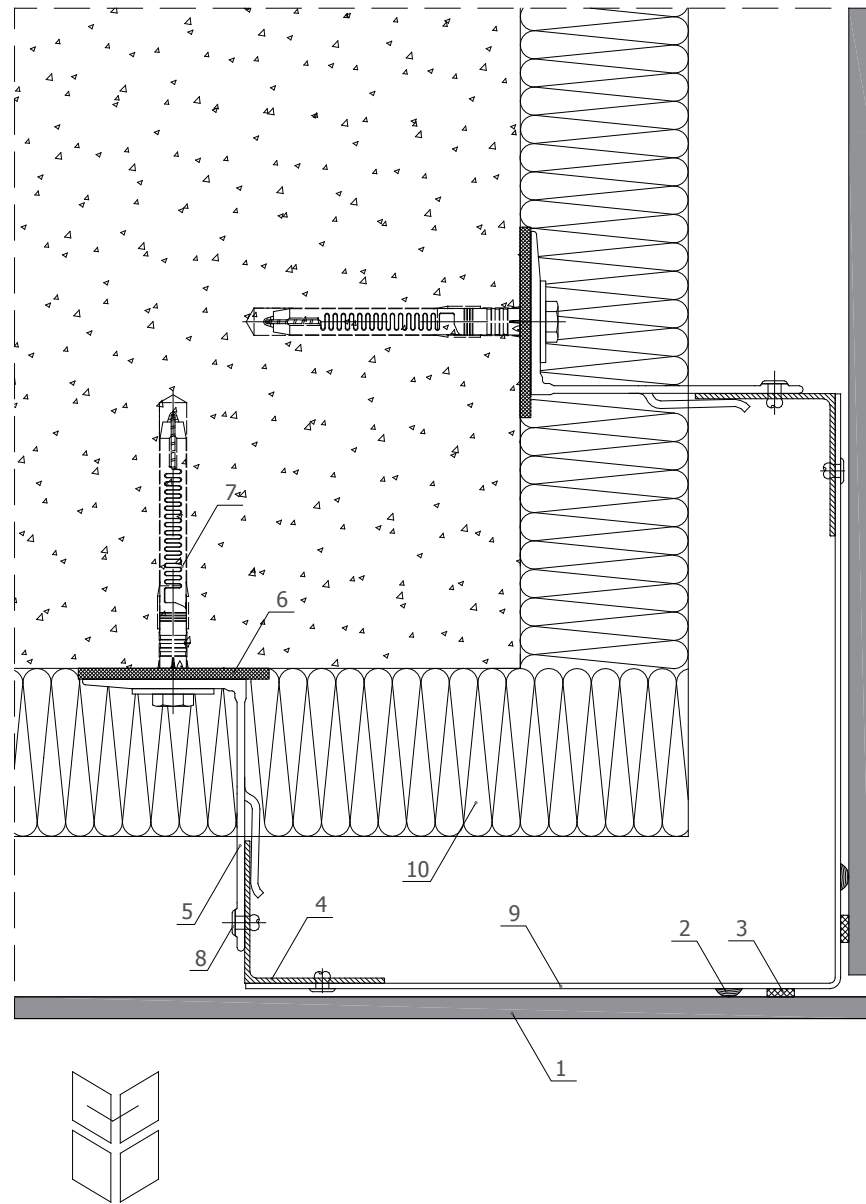
03/2010

The engineering design of this product is an intellectual property of ETEM Building Systems .
Copying and distributing any parts of the product is a violation of the copyright law.

03/2010

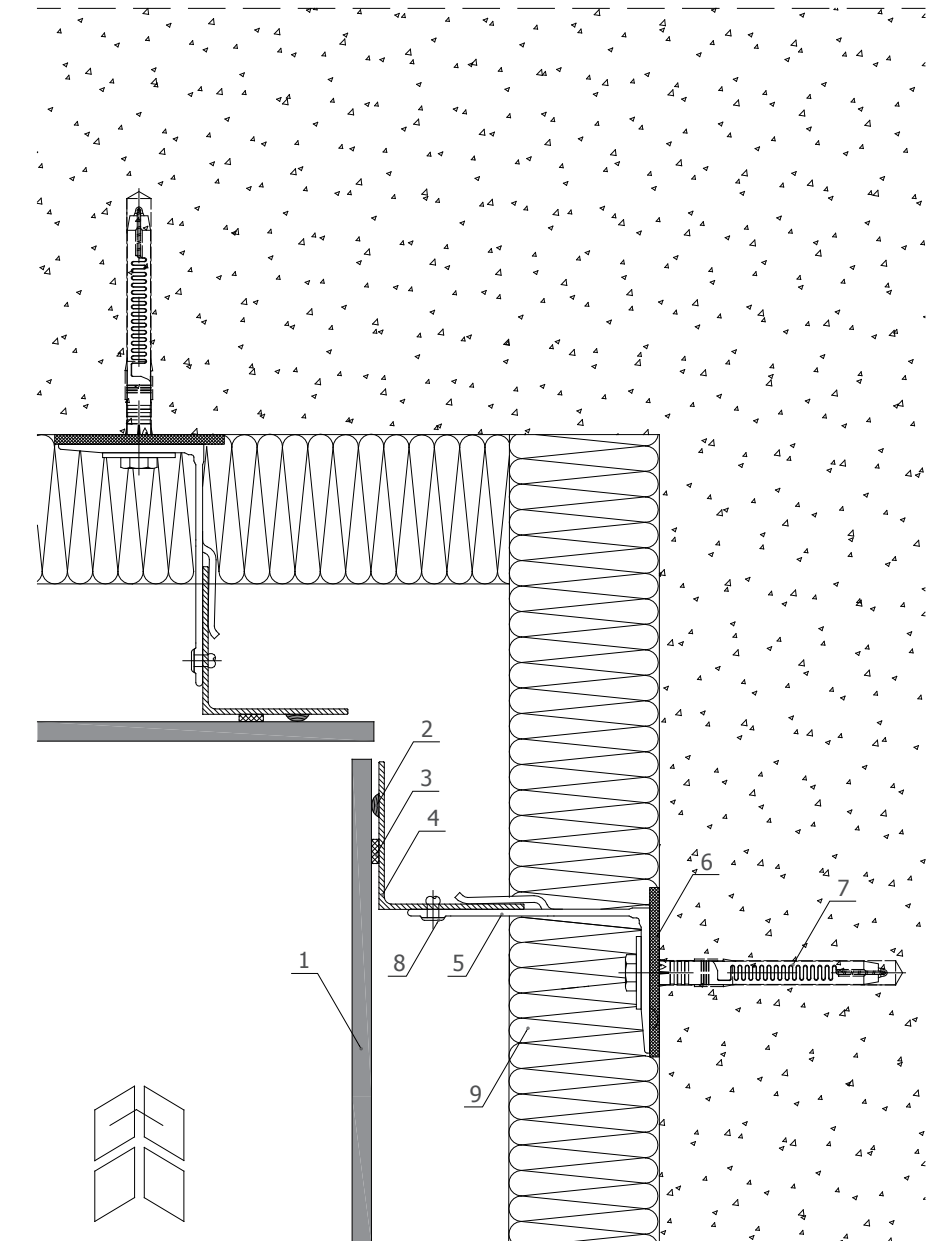
The engineering design of this product is an intellectual property of ETEM Building Systems .
Copying and distributing any parts of the product is a violation of the copyright law.

detail 8 - fibrocement, HPL panels



1. fibrocement,
HPL panels
2. SikaTack®-
Panel
3. double
coated tape
4. main profile
5. fixing bracket
100mm
6. thermo-
insulation pad
7. anchor
8. rivet 4.8x12
9. aluminum
sheet - 3mm
10. thermal
insulation
with black veil

detail 9 - fibrocement, HPL panels



1. fibrocement,
HPL panels
2. SikaTack®-
Panel
3. double
coated tape
4. main profile
5. fixing bracket
100mm
6. thermo-
insulation pad
7. anchor
8. rivet 4.8x12
9. thermal
insulation
with black veil

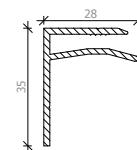
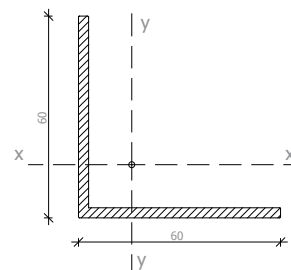
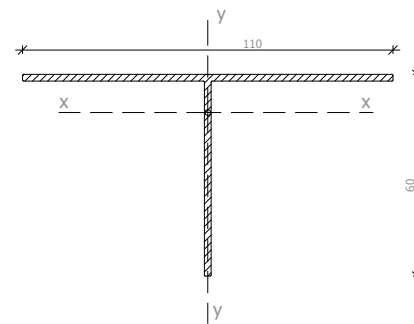
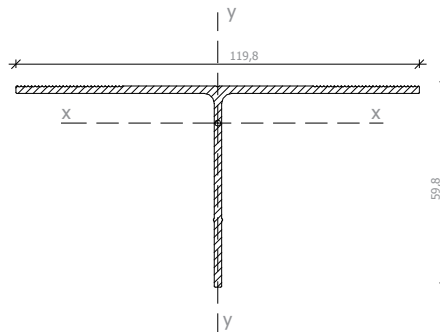
03/2010

The engineering design of this product is an intellectual property of ETEM Building Systems .
Copying and distributing any parts of the product is a violation of the copyright law.

03/2010

The engineering design of this product is an intellectual property of ETEM Building Systems .
Copying and distributing any parts of the product is a violation of the copyright law.

main profile



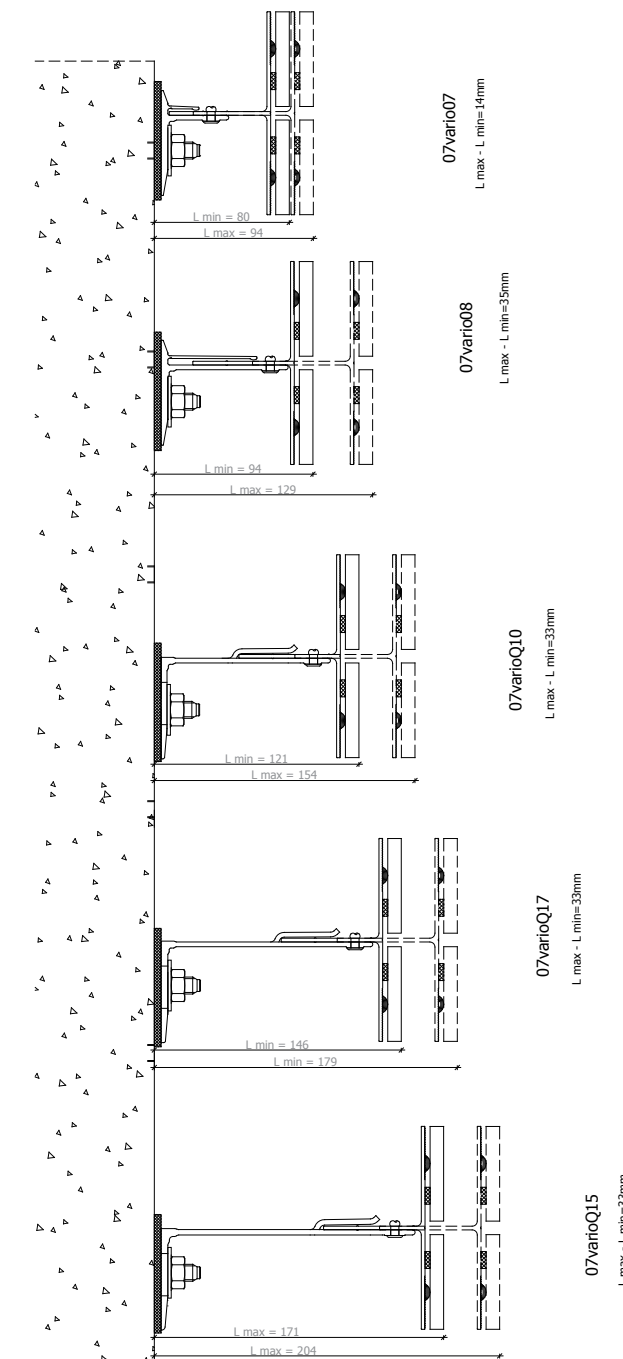
Profile 33633
Weight - 1039g/m
 $I_x = 11.09 \text{ cm}^4$
 $W_x = 2.27 \text{ cm}^3$
 $I_y = 29.62 \text{ cm}^4$
 $W_y = 4.94 \text{ cm}^3$
 $A = 3.84 \text{ cm}^2$

Profile 33548
Weight - 906.9g/m
 $I_x = 10.06 \text{ cm}^4$
 $W_x = 1.83 \text{ cm}^3$
 $I_y = 22.16 \text{ cm}^4$
 $W_y = 4.62 \text{ cm}^3$
 $A = 3.35 \text{ cm}^2$

Profile 10645
Weight 947 g/m
 $I_x = 12.53 \text{ cm}^4$
 $W_x = 2.83 \text{ cm}^3$
 $I_y = 12.53 \text{ cm}^4$
 $W_y = 2.83 \text{ cm}^3$
 $A = 3.5 \text{ cm}^2$

Profile 31064
Weight - 392 g/m

mounting distance from the construction base of T profile - 33633



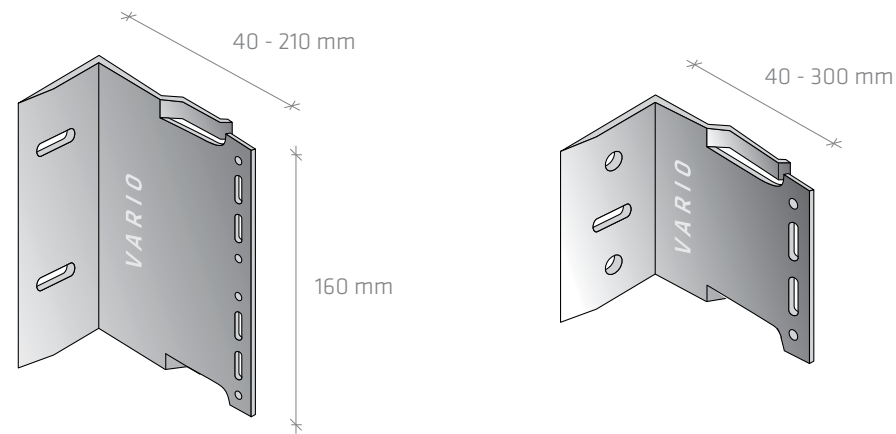
03/2010

* The main supporting profiles should be painted or overlapped with a black strip.
* It is recommended to cover the thermal insulation with a black veil.
The engineering design of this product is an intellectual property of ETEM Building Systems.
Copying and distributing any parts of the product is a violation of the copyright law.

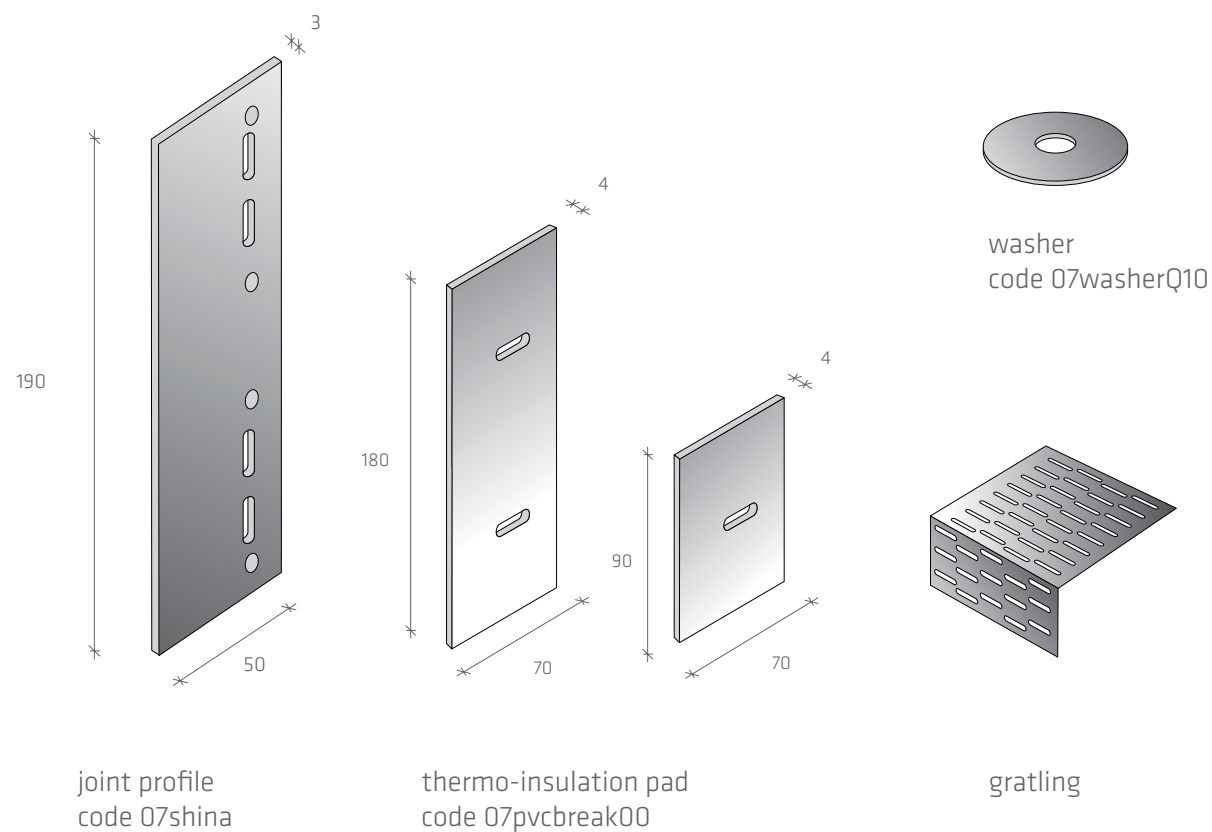
03/2010

The engineering design of this product is an intellectual property of ETEM Building Systems.
Copying and distributing any parts of the product is a violation of the copyright law.

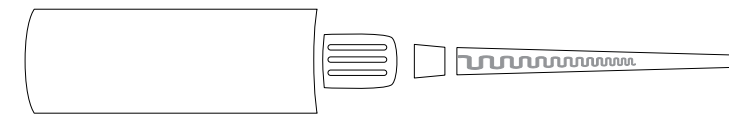
fixing bracket



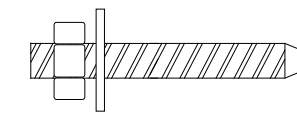
accessories



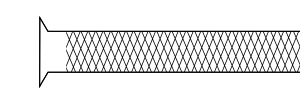
fastening elements



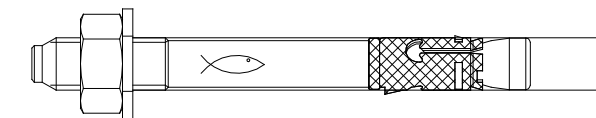
chemical anchor



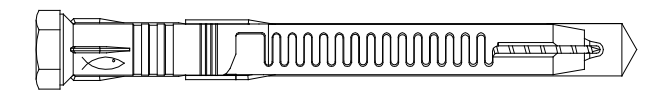
threaded rod



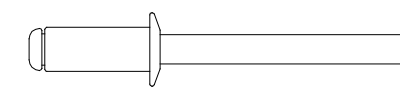
plastic sieve



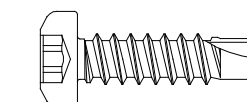
anchor



plug



rivet



self drilling screw

03/2010

The engineering design of this product is an intellectual property of ETEM Building Systems .
Copying and distributing any parts of the product is a violation of the copyright law.



03/2010

The engineering design of this product is an intellectual property of ETEM Building Systems.
Copying and distributing any parts of the product is a violation of the copyright law.

